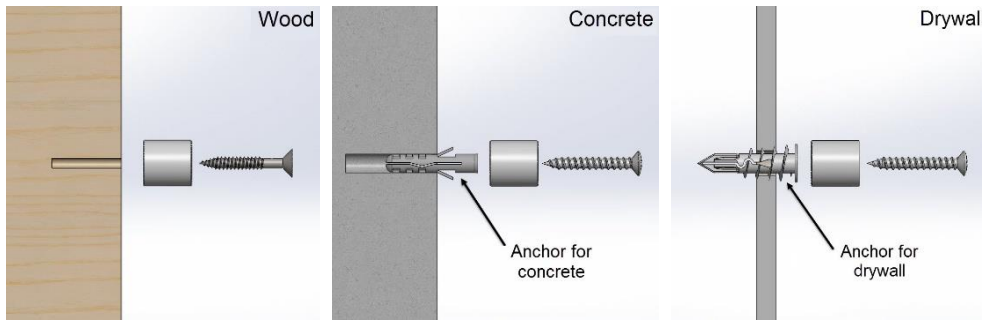


# Installation Guidelines

## Edge Grip Standoffs

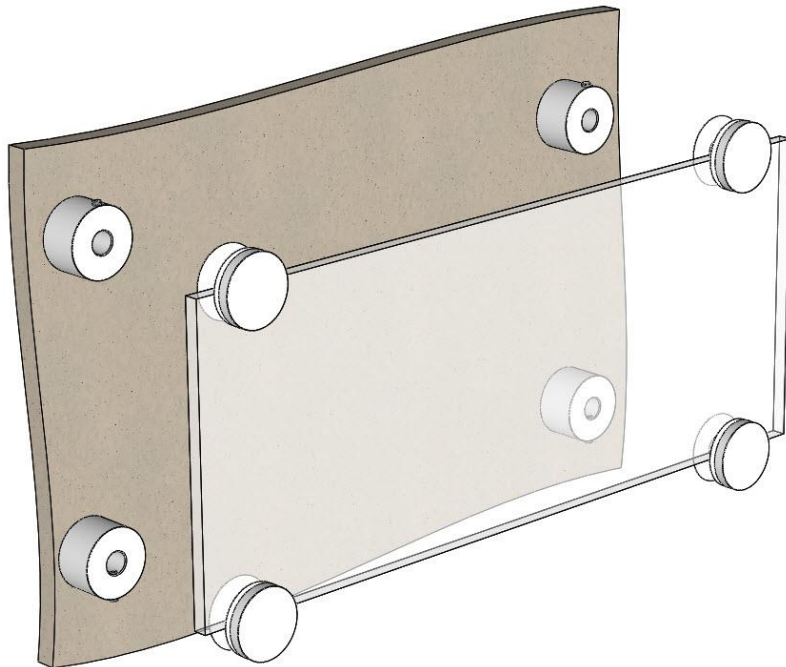


### Installation Tips



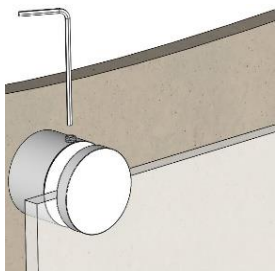
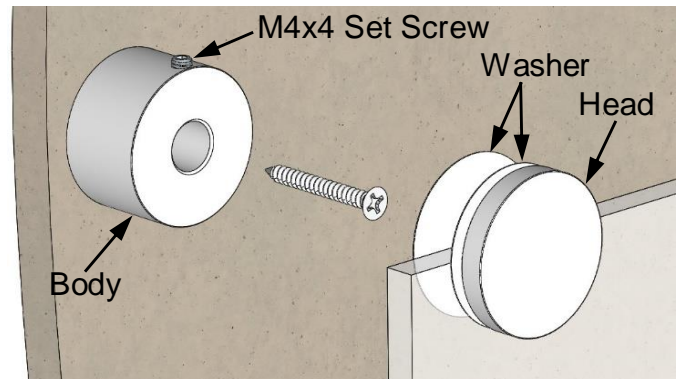
**Always check the installation surface to ensure that the substrate will be strong enough to hold the weight of the panel. All installation must be done so with proper hardware and protective gears to ensure safety. It is important to check that parts are properly tightened at the end of each installation.**

**1** Using the panel as a template, mark the point on the installation surface for drilling. (Marking the grip locations on the panel is recommended).



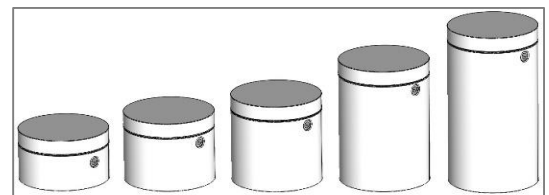
**2** Install wall anchors. Use proper installation hardware.

**3** Install edge grips on the panels. Tighten the M4 set screw located inside the edge grip, after aligning the panels inside the edge grips.



**4** Slide the grips/panel onto the anchors. Tighten the outside M4 set screw once all grips are seated flush against the anchors.

It might be easier to gently tighten the set screws first to hold the grips/panel in place before going back to the set screws to completely tighten them.



\* Installation instructions apply to any of the sizes that are available.

Address: Htm-Mbs  
6420 Benjamin Rd,  
Tampa, FL. 33634



Phone : 1-813-938-6025  
Fax : 1-813-425-9007  
Mail: sales@mbs-standoffs